

NLETC 50 Round Handgun Instructor Qualification

23 x 35 NLETC-Q Target

Number of Targets Required: (02) 23 x 35 NLETC-Q Targets

Passing Score: 90% of student rounds must be inside the green area of the target. Students must also participate in and successfully complete all stages of the qualification course as instructed within the allotted time.

3 Yard Line

- 1-2-1
 - 5 seconds
- 1 and 1, reload, 1 and 1
 - 10 seconds
- 1-2-1
 - 5 seconds

Load magazines 6 and 6

5 Yard Line

- 2 and 2
 - 5 seconds
- 1 and 1, reload, 1 and 1
 - 10 seconds
- 1-2-1
 - 5 seconds

Load magazines 6 and 4

7 Yard Line

- 3 and 3
 - 8 seconds
- 3 and 3
 - 8 seconds

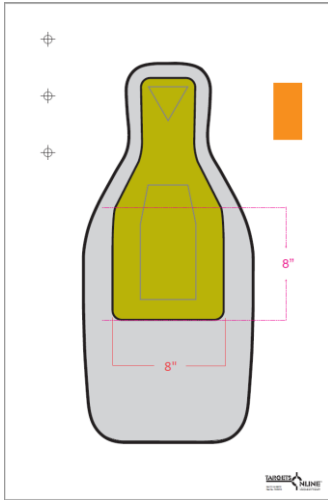
Load magazines 4 and 6

10 Yard Line

- 2 and 2
 - 6 seconds
- 2 and 2
 - 6 seconds

15 Yard Line

- Draw, kneel, 2 on each
 - 8 seconds
- Draw, kneel, 1 on each
 - 5 seconds



NLETC 50 Round Handgun Instructor Pre-Qualification

23 x 35 NLETC-Q Target

Number of Targets Required: (02) 23 x 35 NLETC-Q Targets

Passing Score: 90% of student rounds must be inside the bottle area of the target. Students must also participate in and successfully complete all stages of the qualification course as instructed meeting a minimum of 10 of 12 time standards.

3 Yard Line

- 1-2-1
 - 5 seconds
- 1 and 1, reload, 1 and 1
 - 10 seconds
- 1-2-1
 - 5 seconds

Load magazines 6 and 6

5 Yard Line

- 2 and 2
 - 5 seconds
- 1 and 1, reload, 1 and 1
 - 10 seconds
- 1-2-1
 - 5 seconds

Load magazines 6 and 4

7 Yard Line

- 3 and 3
 - 8 seconds
- 3 and 3
 - 8 seconds

Load magazines 4 and 6

10 Yard Line

- 2 and 2
 - 6 seconds
- 2 and 2
 - 6 seconds

15 Yard Line

- Draw, kneel, 2 on each
 - 8 seconds
- Draw, kneel, 1 on each
 - 5 seconds